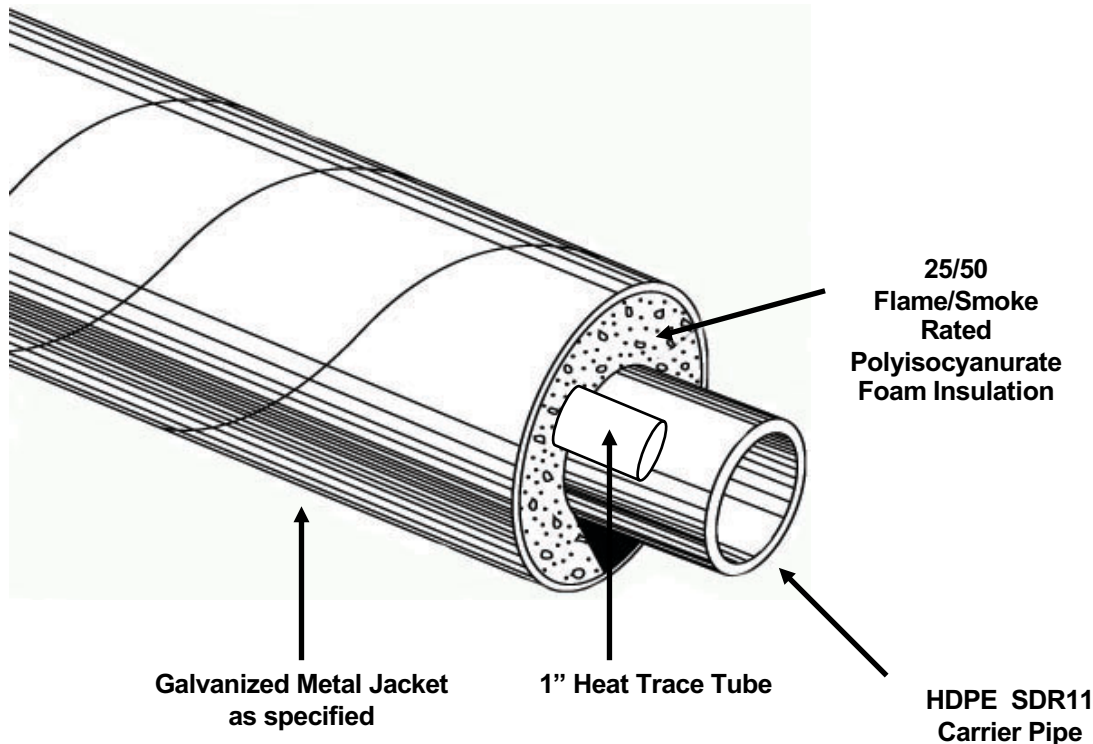


Rovanco DEF Piping

Diesel Exhaust Fluid Above Ground for Fleet Fueling/Gas Station



Rovanco's DEF Piping is designed for piping above ground suitable for indoor and outdoor applications. Non-Flammable polyisocyanurate insulation and durable metal jacket supplied 20' lengths, means an economical, high-quality system.

Rovanco's DEF Piping is provided with spiral lock seam on a metal jacket of galvanized steel. These jackets can be supported from the outside with maximum supports spans. Fittings are field insulated with material supplied by Rovanco.

The DEF Piping comes complete with metal covers, insulation, fittings and banding to make the installation completely watertight for above grade applications.

To find out more about Rovanco's DEF Piping System, you can visit our factory, phone us (815) 741-6700, fax us (815) 741-4229, visit our website at www.rovanco.com or e-mail us at marketing@rovanco.com.

SPECIFICATION FOR DEF PIPING SYSTEM

Carrier Pipe Type:

HDPE SDR11 carrier pipe shall be 20' lengths. Other pipes are available.

Insulation:

Hi-Temp polyisocyanurate foam insulation has a K factor of .121, density of 2.0, closed cell content of >90%, compressive strength of 30 psi, and service temperature of 300°F. Insulation must be capable of handling intermittent temperature spikes to 350°F. Conformance with ASTM Standards D1621, 1622, 1623, 2126, 2842, 2856, and C518-91. Completely filling the annular space between the carrier pipe and jacketing. Provide written independent performance certification with submittals. Meets 25/50 Flame Smoke Rating ASTM E84.

Jacket Material:

Jacket Size In Inches	Galvanized Steel Jacket Spiral Seam Galvanized Steel in accordance with ASTM A-366 ASTM A-526 G90
4	26 Gauge
6	26 Gauge
8	26 Gauge
10	26 Gauge
12	26 Gauge

Insulated Fittings and Joints:

All straight joints and fittings joints shall be insulated using material supplied by system manufacturer.

Jacket Fitting & Joint Covers:

Provide metal covers designed to fit snugly on the jacketing to provide a watertight closure. All covers shall be banded in place with 3/8" wide stainless steel straps and will be the same thickness as the jacketing.

Approved Vendors:

DEF Piping Systems by Rovanco, Joliet, Illinois. All other manufacturers wishing to bid on this project must be ISO Certified and provide the engineer with certified test data from either foam manufacturer or an independent testing agency that the product is capable of withstanding the service temperature continuously. Foam must also be rated for 25/50 Flame smoke. The manufacturer shall obtain written approval from the engineer 10 days prior to bid date.

cc #06152023

Copyright 2023 – Rovanco's products are covered by various U.S. patents. Rovanco & Insul-8 are federally registered trademarks.

Contact Rovanco® for the name of your local Representative

20535 S.E. Frontage Road • Joliet, Illinois 60431 • (815) 741-6700

Website: www.rovanco.com • E-mail: marketing@rovanco.com

This is a generic product datasheet and is not intended for submittal use.